

HZ120/140/140J

SELF-PROPELLED ARTICULATED BOOMS

Mantall®



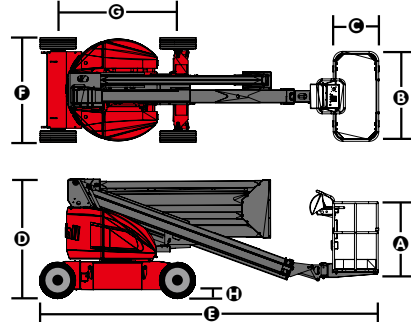
Standard Features

- Self-leveling platform
- Hydraulic rotation platform
- Hall effect fully proportional controls
- Driving confirm
- AC wiring to platform
- Horn
- Hour meter
- Tilt alarm
- Positive traction drive
- Dual Speed motor
- Emergency pump
- CAN intelligent control
- Overload Sensor

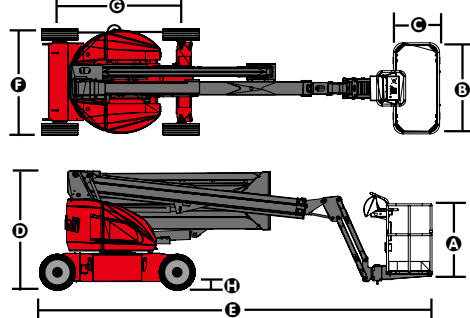
Options Features

- Platform swing gate
- Platform alternate leverage
- Airline to platform
- Hydraulic oil cooler
- Hostile environment packages
- Anti-crash air packages
- Tool tray
- Alarm packages
- Platform work lights

HZ140



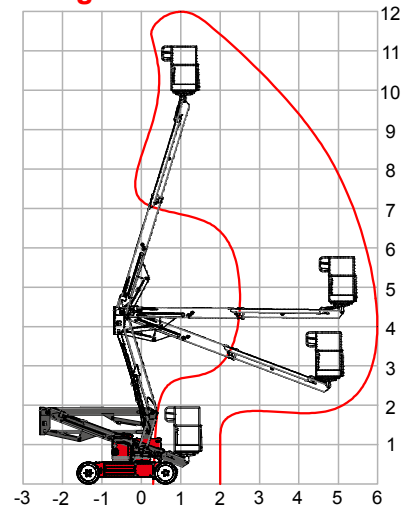
HZ140J



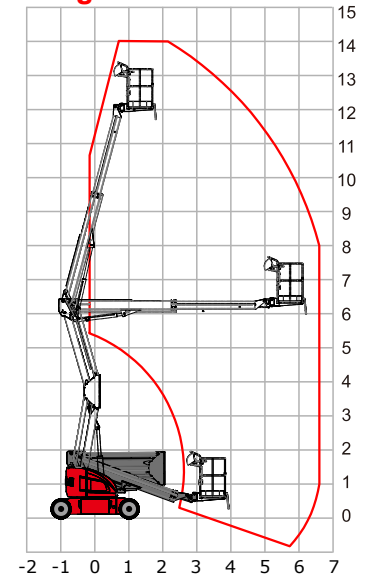
HZ120/140/140J

MODEL	HZ120	HZ140/HZ140J
Max. Working height	12 m	14 m
Max. Platform height	10 m	12 m
Max. Outreach	6 m	7.04 / 7.259 m
Max. Up and over clearance	4.2 m	6.33 m
Max. Lift capacity	200 kg	230 kg
Platform size B x C x A	1.16 x 0.65 x 1.1 m	1.5 x 0.76 x 1.1 m
Height - stowed D	1.96 m	2.0 m
Length - stowed E	4.2 m	5.36 / 6.17 m
Width F	1.5 m	1.75 m
Wheelbase G	1.96 m	2.0 m
Ground clearance H	0.18 m	0.14 m
Turntable rotation	360° discontinuously	
Turntable tailswing	0	
Platform rotation	/	180°
Jib Swing	/	0 / 140° (HZ140J only)
Platform Level	Hydraulic levelling	
Drive speed - stowed	4.0 km/h	3.7 km/h
Drive speed - raised	1.0 km/h	
Gradeability	25%	30%
Max. tilt angle	3°	
Max. lateral force N	400 N	
Max. Wind speed allowed	12.5 m/s	
Min. Turning radius-(inside)	1.9 m	2.3 m
Min. Turning radius-(outside)	4.2 m	3.5 m
Drive wheels number	2	
Steering wheel number	2	
Controls	Electrical hydraulic proportional control	
System voltage	DC 24V	
Hydraulic tank capacity	32 L	35 L
Tire size	22 x 7 x 16 in	600 x 190 mm
Power	DC 48V / 225Ah	DC 48V / 320Ah
Total weight	4.0 t	5.6 / 6.34 t

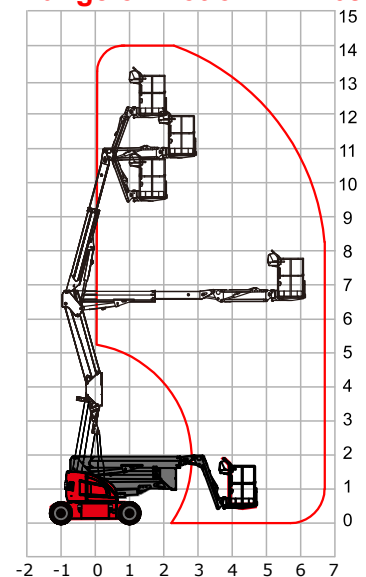
Range of motion HZ120



Range of motion HZ140



Range of motion HZ140J



HZ120

